

### **Robert Sorby Woodturning tools**

As well as many specialist tools Robert Sorby manufactures in Sheffield a huge range of high quality HSS woodturning tools.

Bowl and Spindle gouges are available with a standard grind in 1/4", 3/8", 1/2" & 3/4" Bowl gouges with a fingernail grind in 1/4", 3/8" & 1/2" and Spindle gouges with a fingernail profile in 3/8" & 1/2". Spindle Roughing gouges are manufactured in two sizes 3/4" & 1 1/4". Skew chisels come in several sizes and with standard, oval or round blades.

There is a large selection of scrapers to suit any woodturning project along with an array of parting tools for every requirement.

Robert Sorby also manufacture a range of micro tools to cover all those fine detail projects.

### **Sovereign 16" System & Sovereign 22" System (Ref: Sov-16S & Ref: Sov-22S)**

The Sovereign is a handle system that gives the turner the ability to interchange a large range of gouges and other blades.

The two lengths available give flexibility depending on the size of project being worked and the length of grip required.

The high quality seamless steel tube gives strength and rigidity whilst the Softex grip gives a comfortable and sure grip even when used for extended periods. The head and end cap are machined from aircraft grade Aluminium with tool steel inserts in the head to ensure a long thread life of the two brass tipped clamping screws.

Robert Sorby has chosen the materials and design of this handle without compromise to ensure maximum strength and feel with extremely good vibration dampening properties.

As standard both handles are designed to accept any tool with a 5/8" shank and the system includes two collets of 1/2" and 3/8". Also there is an optional addition of a 1/4" pilot bored collet to suit 1/4" tools that can also be drilled by the user to a specifically required size.

There is also a facility for an optional extra counterweight to be added in the base of both handles to help maintain the balance of the Sovereign when using heavier blades.

A threaded coupler is also available as an optional extra. This allows the turner to connect two handles together to produce a long handle of a desired length of 32", 38" or 44".

### **Patriot lathe chuck (Ref: RSPC)**

The all British manufactured Patriot woodturning chuck is light, compact and perfect for any woodturning project. It has a smooth opening and closing action using the single key. It is fitted with 2" (50mm) jaws which have an internal and external dovetail and gripper teeth for greater secure work holding. It is also supplied with a screw chuck and an insert to fit all available lathes on the market.

There is also a huge range of optional jaws and accessories available.

### **The ProEdge Ultimate Sharpening System (Ref: PE01A & PED01A)**

The ProEdge from Robert Sorby represents the ultimate system for sharpening any woodworking tools. Its unique design incorporates many years of experience in producing the keenest of edges accurately and efficiently.

It is ready to use straight out of the box .....just plug it in and sharpen your tools!

A quick and simple belt change allows the correct to be used for the type of tool to be sharpened.

There is a selection of jigs to make it much easier to sharpen some of the more difficult tools, such as the Skew and Fingernail gouges.

The unique angle setter ensures the same sharpening angle is achieved with consistency and accuracy every time utilising the pre-set holes that takes seconds to adjust.

A variety of abrasive belts allow the correct material and grit belt to be used for the tool sharpening required.

A FREE information and usage CD video is available.

### **Modular Micro Tool System**

This unique system is centred on the beautifully engineered burgundy anodised aluminium handle. Into this handle can be fitted an array of tools and blades.

There are four sets which are Micro Sandmaster, Micro Spiralling tool, Spindle set and Hollowing set.

The main benefit of this system is that the woodturner can buy just one of the handled sets and then add any of the unhandled tools, blades and heads.

Ideal for woodturners working on smaller projects.

For more details contact:

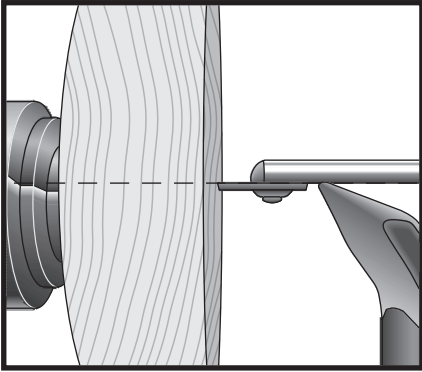
*Robert Sorby*

Robert Sorby Ltd, Athol Road, Sheffield, S8 0PA, England. Tel: +44(0) 114 225 0700 Fax: +44(0) 114 225 0710  
Email: sales@robert-sorby.co.uk Website: www.robert-sorby.co.uk

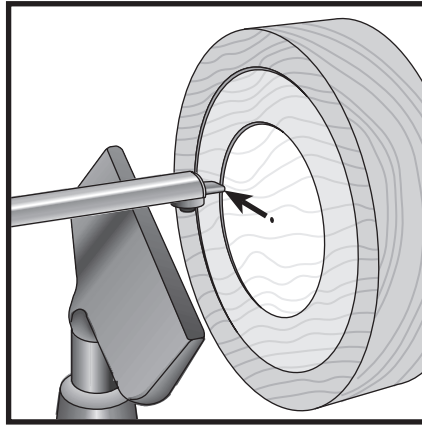
Registered in England: Company No 3464018,  
Registered office: Atlas Way, Atlas North, Sheffield, S4 7QQ  
VAT No GB 172 4019 84

The Robert Sorby Multi-Tip Hollowing Tool is a handy addition to any tool kit. It comes complete with three replaceable cutters - two for hollowing, one for scraping. Of the two hollowing cutters, the one with the rounded end is designed for general roughing out and will create a flowing curve as in the bottom of a vessel. The more pointed cutter is for fast material removal and also produces a crisp corner in a box.

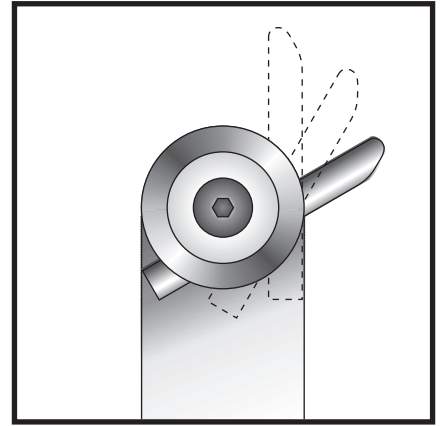
**HOLLOWING**



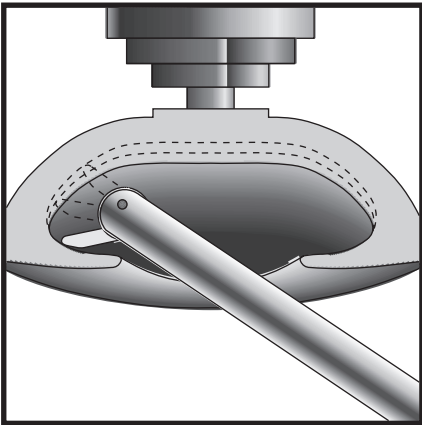
1. With tool rest on centre, place the flat face of the Multi-Tip tool on the rest. This gives more control and allows aggressive hollowing.



2. From the centre work the tool outwards to the required size.

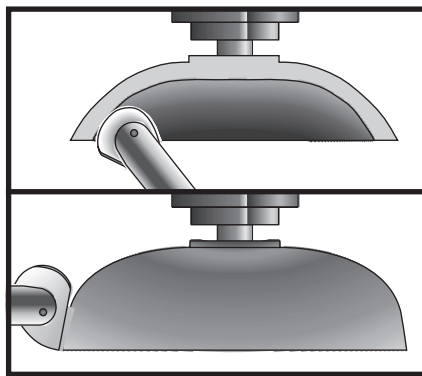


3. Angle of the cutter can be adjusted through 360°.

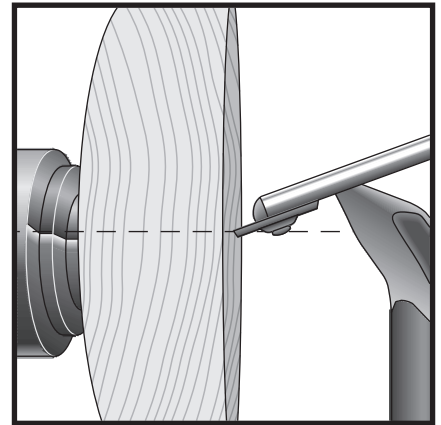


4. This makes the Multi-Tip ideal for under-cutting.

**SCRAPING**

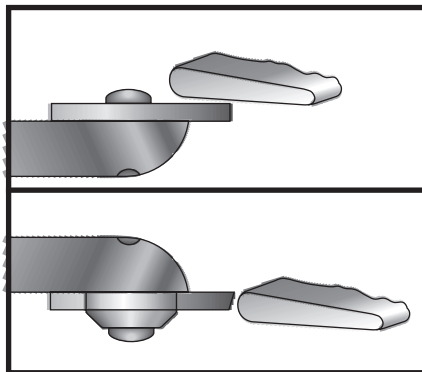


5. Fit scraper cutter using allen screw provided. Rotate cutter to required face - round faces for internal work, square face for external finishing.



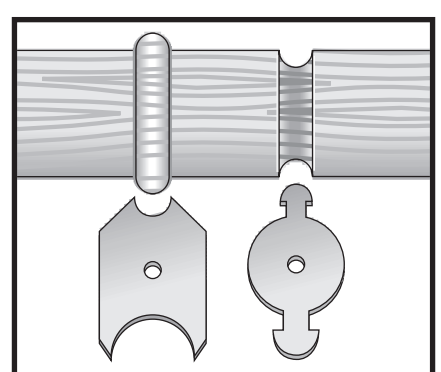
6. Place tool rest slightly above centre and with the flat surface of the tool on the rest trail the tool by approximately 5°.

**SHARPENING**

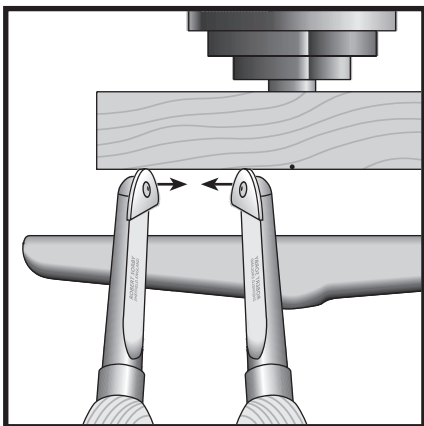


8. For maximum performance hone the cutters frequently. For the perfect sharp edge use the cutter holder (ref. 472) in conjunction with the Robert Sorby Pro-Edge.

**ADDITIONAL CUTTERS**



9. Also available separately are bead and cove forming cutters.



7. To create an even finer finish angle the tool at 45° on its curved back and work in either direction, this produces a slicing cut. Tool rest should be above centre.

A brief video clip of this tool in action is available on [www.robert-sorby.co.uk](http://www.robert-sorby.co.uk)